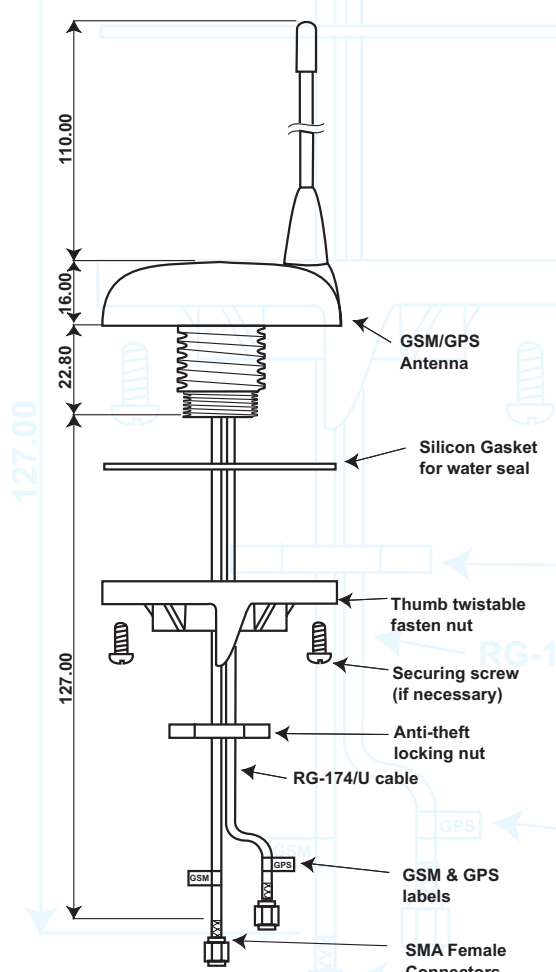


Skymaster Combo

2-in-1 GPS and GSM Antenna



GPS

High performance GPS patch antenna with state-of-the-art low noise amplifier

Construction:	Ø 59.8 x H 438.8mm
Frequency:	1575.42 ±1.023MHz
Gain:	27dB typically
Noise Figure:	1.2 max.
Attenuation:	20dB min. @ F0 ±50MHz
Band Width:	10MHz
VSWR:	< 1.5
Impedance:	50ohm
Power Consumption:	4.5V to 5.5V DC / 28mA
Cable:	5m RG-174
Connector:	FME
Operating Temperature:	-35°C to 85°C
Storage Temperature:	-40°C to 90°C

GSM

Multi-band antenna for 900MHz and 1800MHz cellular phone

Frequency:	870MHz to 960MHz
Gain:	3dB
VSWR:	< 1.5
Impedance:	50ohm
Handling Power:	20W
Cable:	5m RG-58
Connector:	FME
Operating Temperature:	-35°C to 85°C
Storage Temperature:	-40°C to 90°C

Ordering Information

Part Number
 ■ Skymaster Combo

Description
 ■ 2-in-1 GPS and GSM Antenna